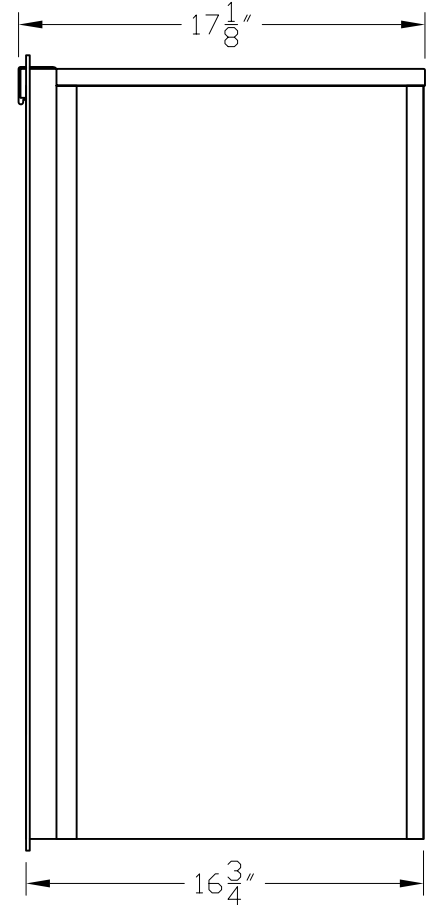
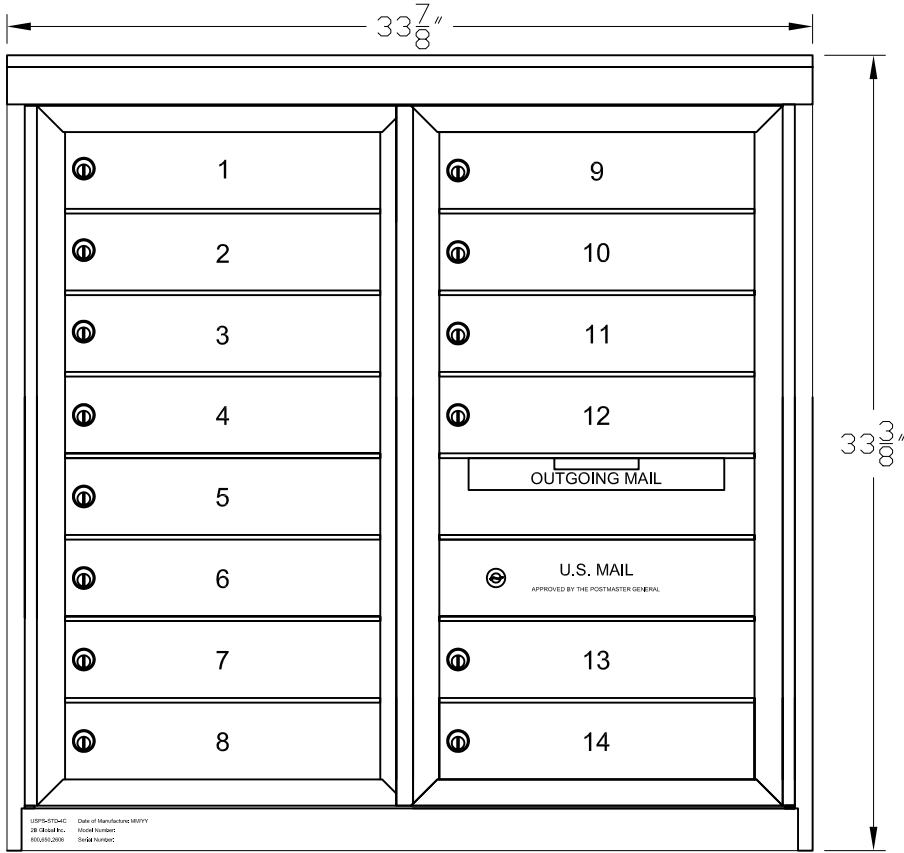
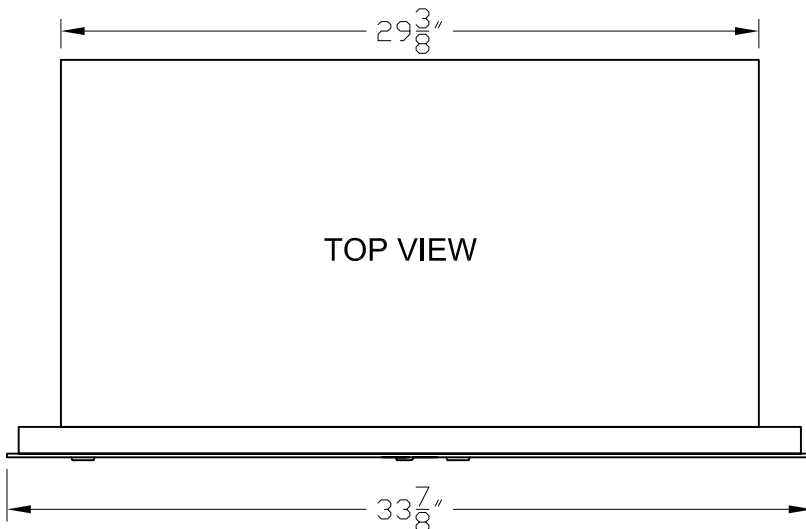


Cabinet Model: D14



SIDE VIEW



TOP VIEW

2B GLOBAL INC.			
<small>DRAWING NO.</small> 2B-USPS-D14-STD-01		<small>DRAWING TITLE:</small> Horizontal Mailboxes - Std 4C	
<small>DATE</small> 20 FEB 2009		<small>FRONT LOADING ADA54 SERIES</small>	
<small>SCALE</small> 1:1	<small>SIZE</small> L	<small>REVISION NO.</small> 0	<small>SHEET</small> 1 OF 1