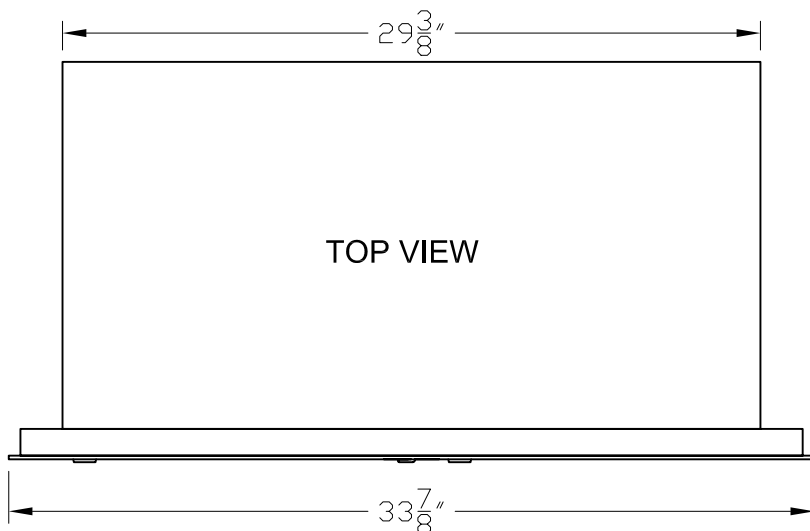
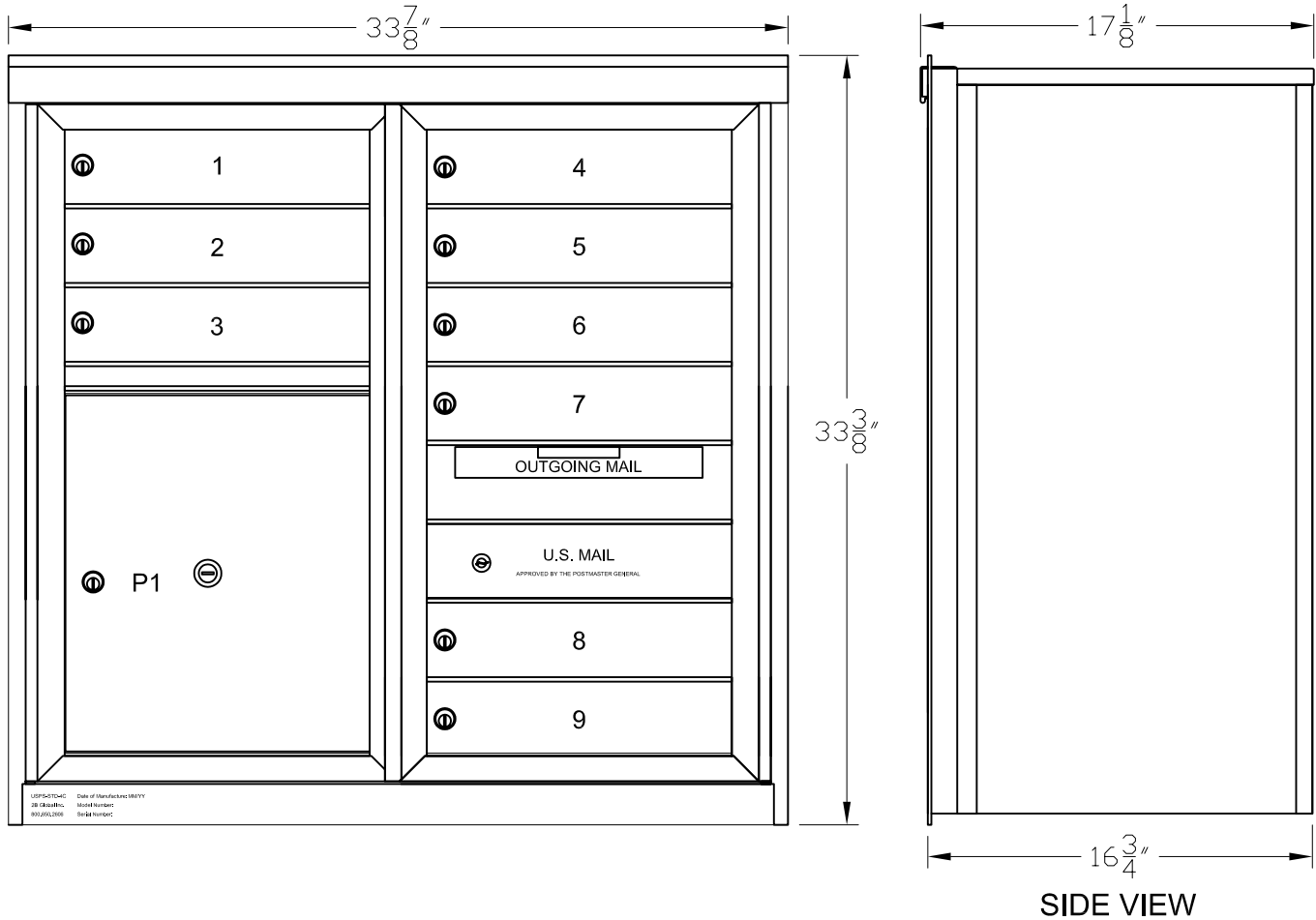


Cabinet Model: D9P1



| | | | |
|------------------------------------|-----------|---|-----------------|
| 2B GLOBAL INC. | | | |
| DRAWING NO. 2B-USPS-D9P1-STD-01 | | DRAWING TITLE: Horizontal Mailboxes - Std 4C | |
| DATE 20 FEB 2009 | | FRONT LOADING ADA54 SERIES | |
| SCALE 1:1 | SIZE L | REVISION NO. 0 | SHEET 1 OF 1 |