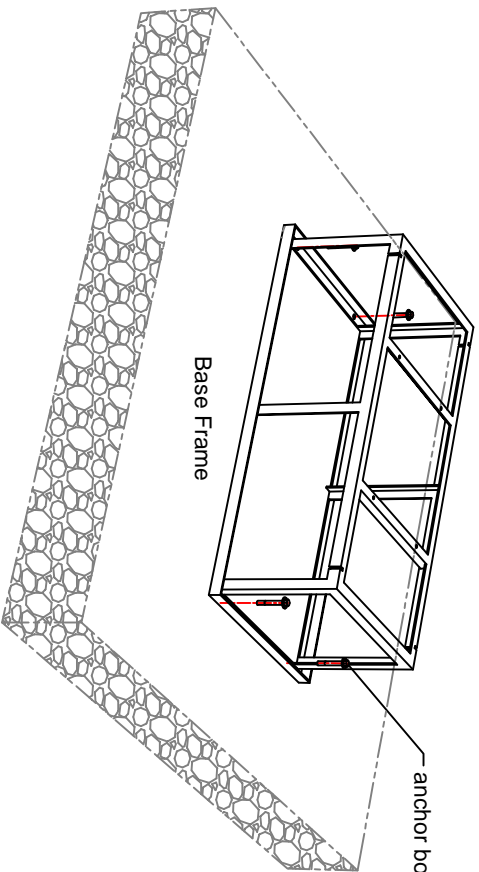
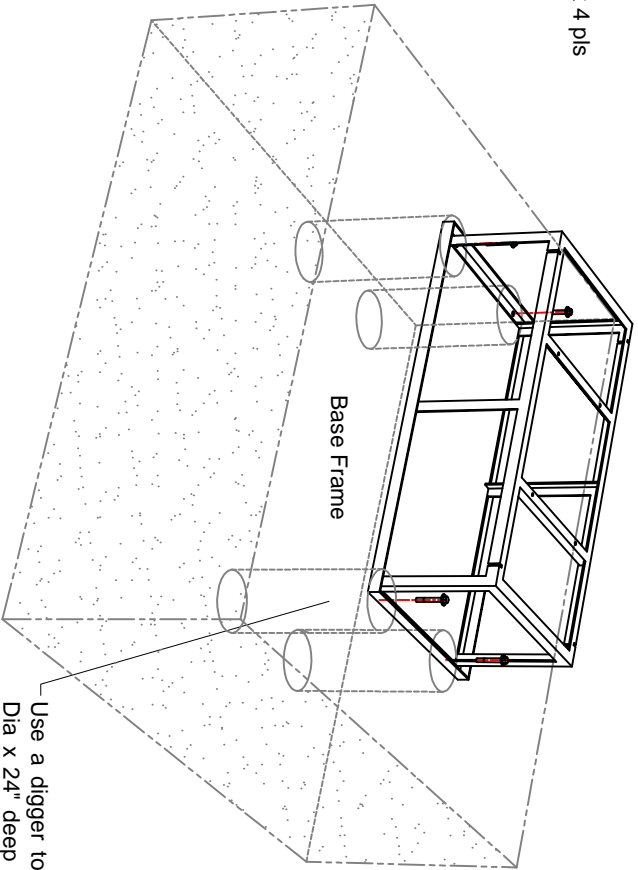


# Installation Guides - Step 1 (Foundation & Securing Base Frame to the Ground)



Concrete Foundation: Fasten base frame onto concrete with four anchor bolts (provided)

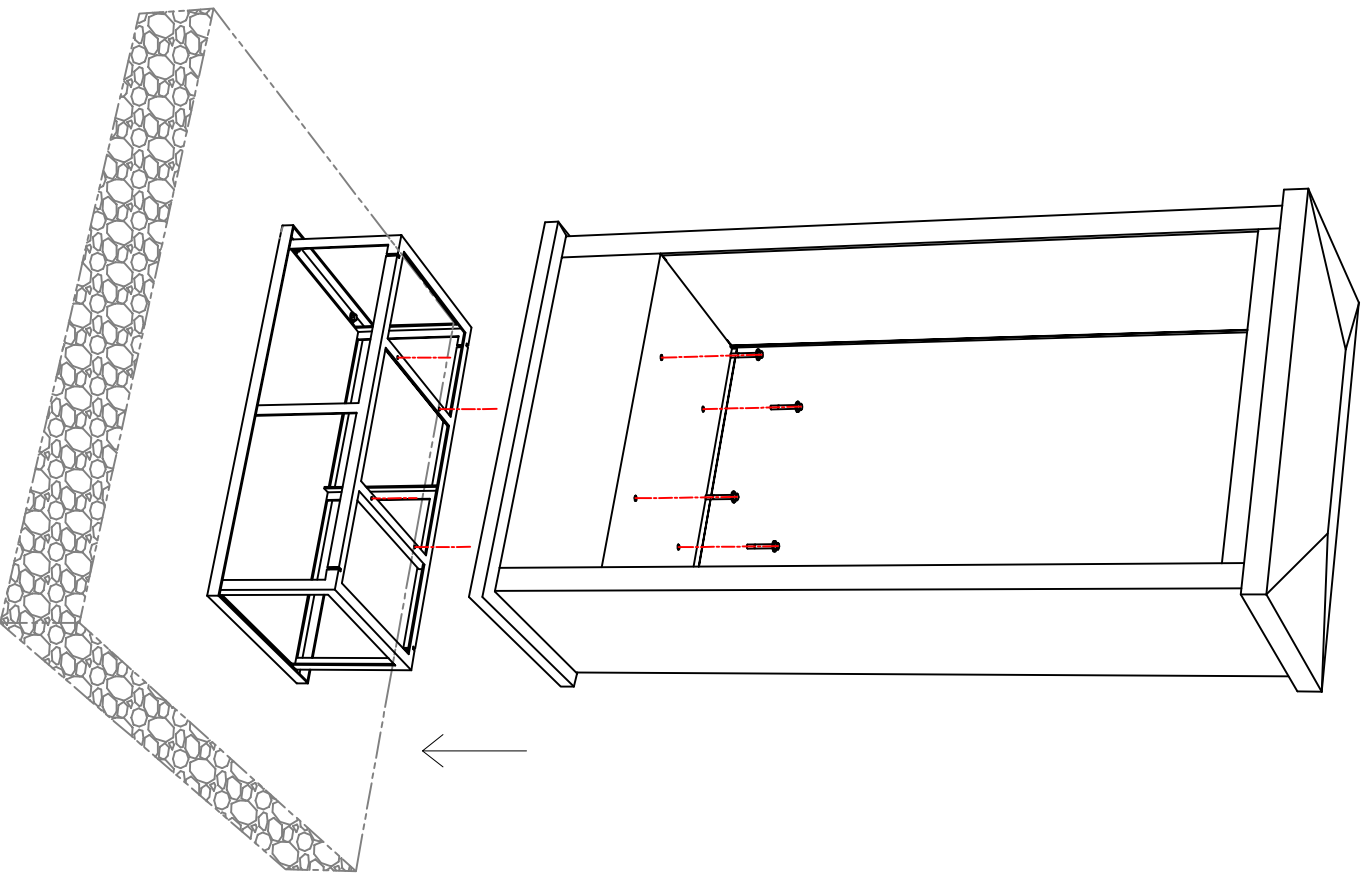
anchor bolts x 4 pls



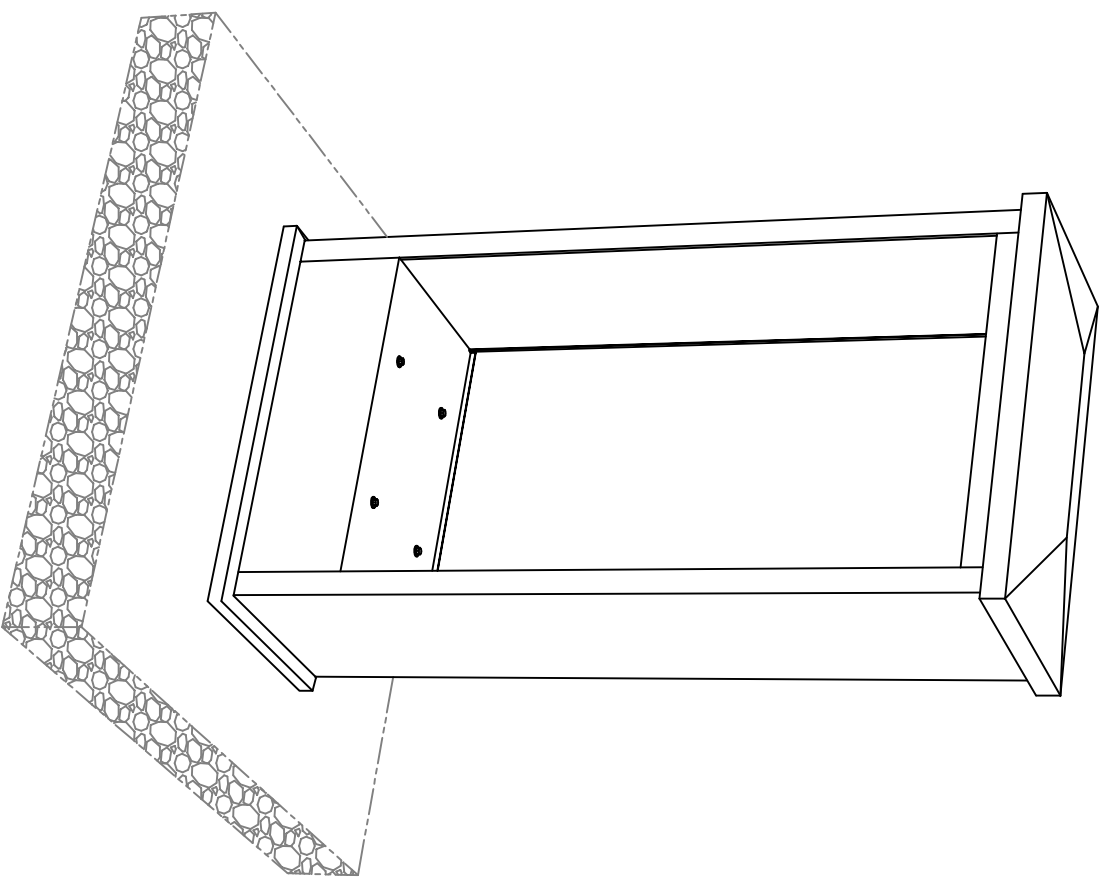
Soil Foundation: Fasten base frame into soil with four 2" hook x 10" length L-Hook anchor bolts (not provided)

Use a digger to dig four 6" Dia x 24" deep holes. Pour concrete into the holes and insert one L-Hook (not provided) into each concrete hole. Expose 2" of the L-Hooks above the concrete for fastening. Using the base frame as a template, adjust the L-Hooks so that they fit through the base plate of the base frame

# Installation Guides - Step 2 (Connecting Kiosk to the Base Frame)

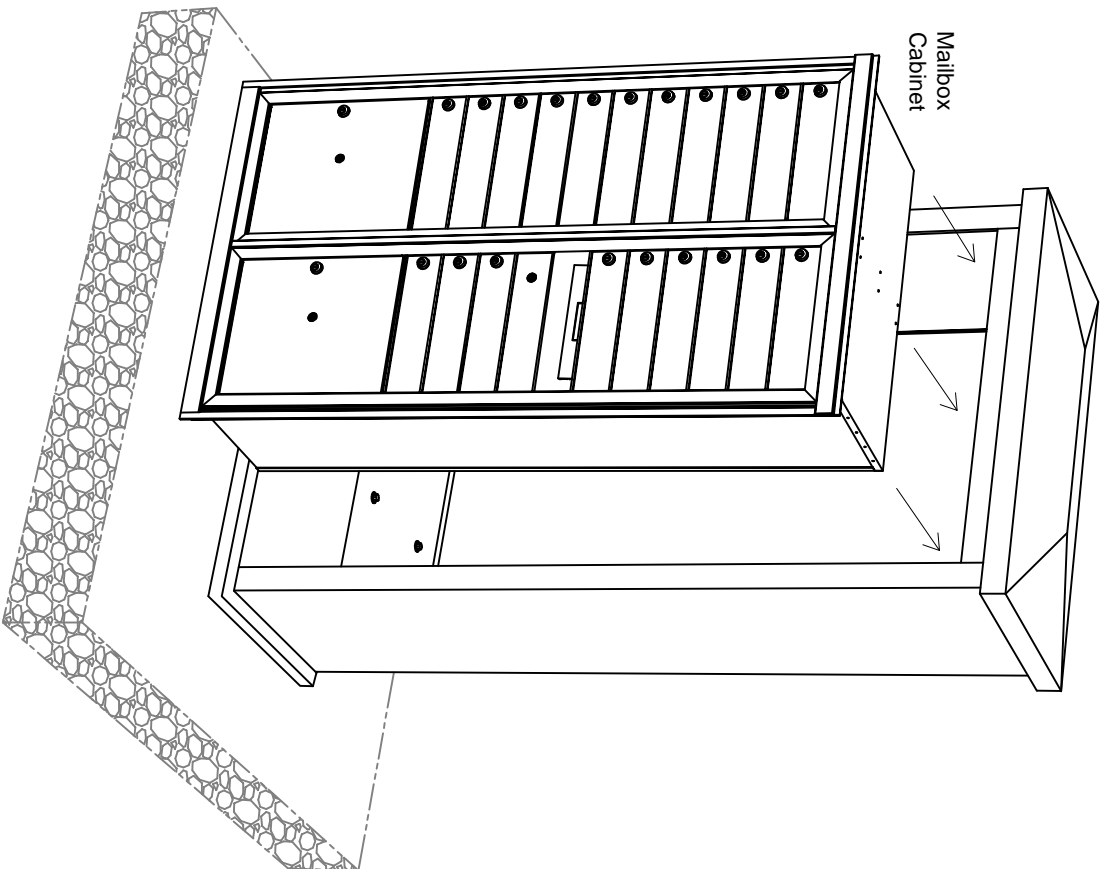


STEP 2a: Slide the kiosk over the base frame

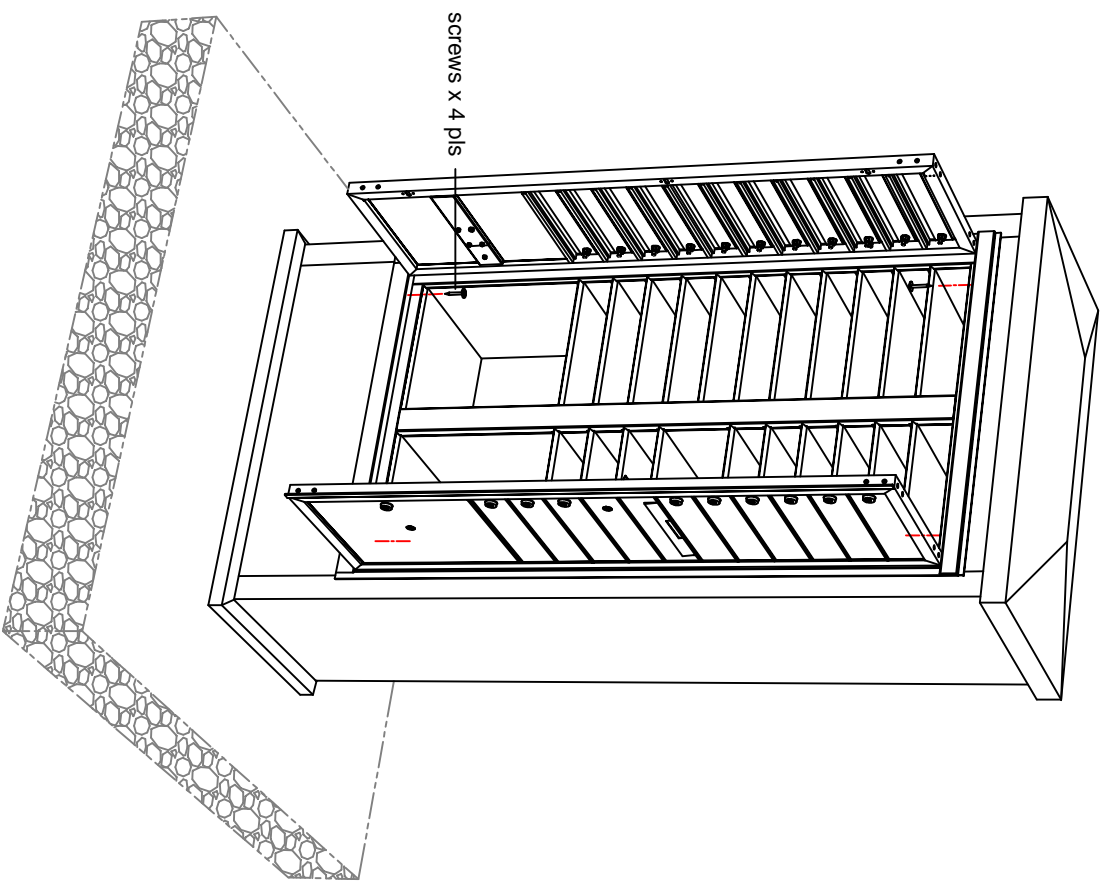


STEP 2b: Through the front opening, fasten four bolts to secure the kiosk to the base frame

# Installation Guides - Step 3 (Final - Securing Mailbox Cabinet to the Kiosk)



STEP 3a: Insert the mailbox cabinet into the kiosk through the front opening



STEP 3b: Open the master loading door, and fasten four screws (two through the top frame and two through the bottom frame) to secure mailbox cabinet to the kiosk