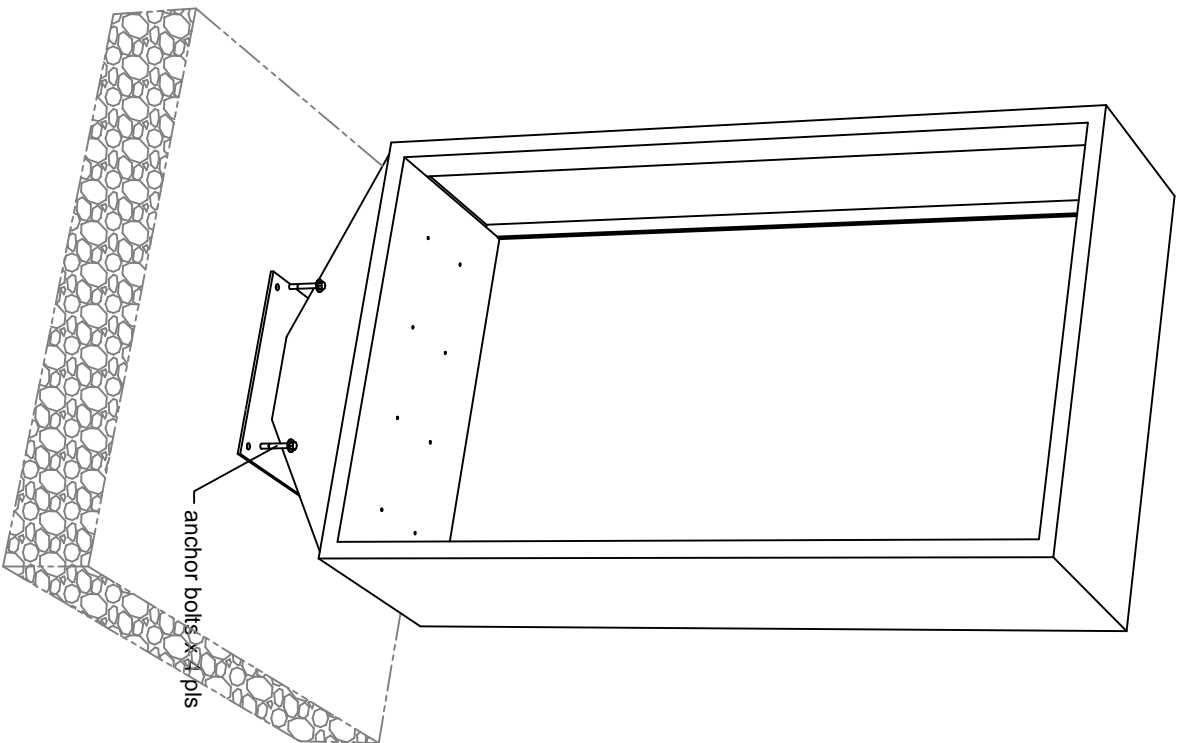
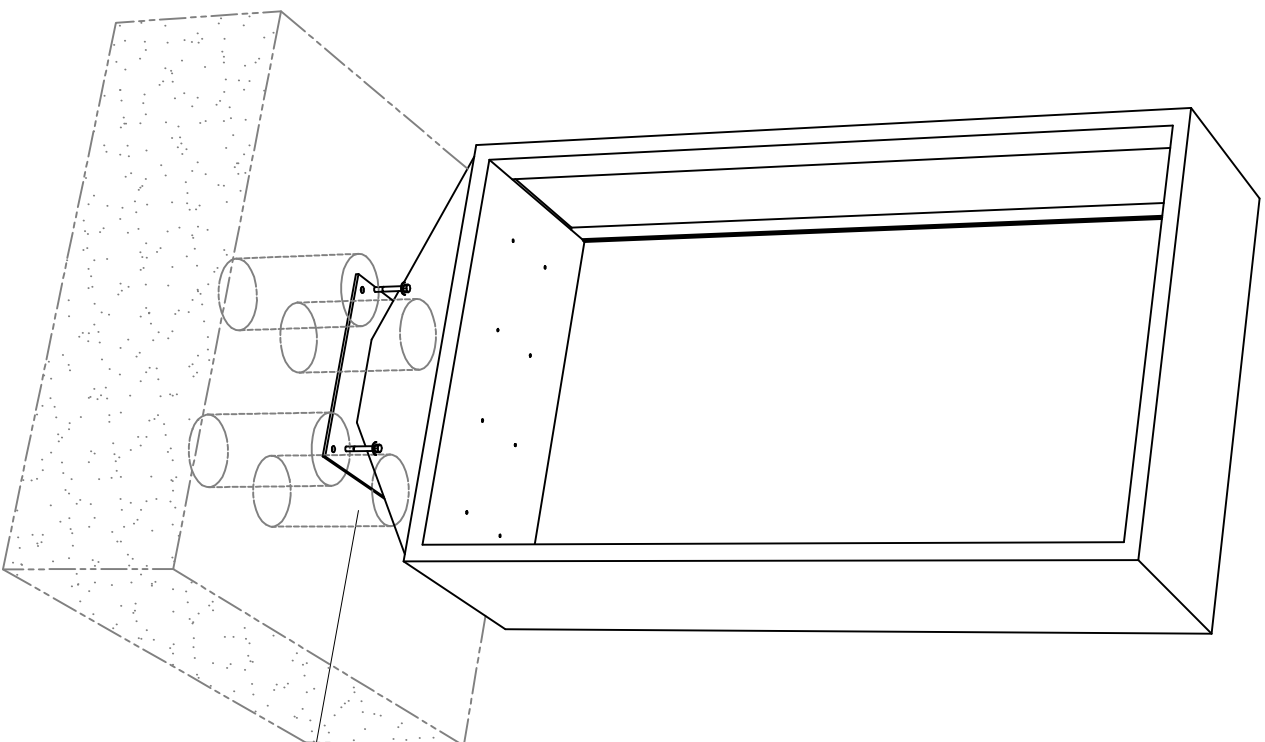


Installation Guides - Step 1 (Foundation & Securing Base Frame to the Ground)



Concrete Foundation: Fasten base frame onto concrete with four anchor bolts (provided)



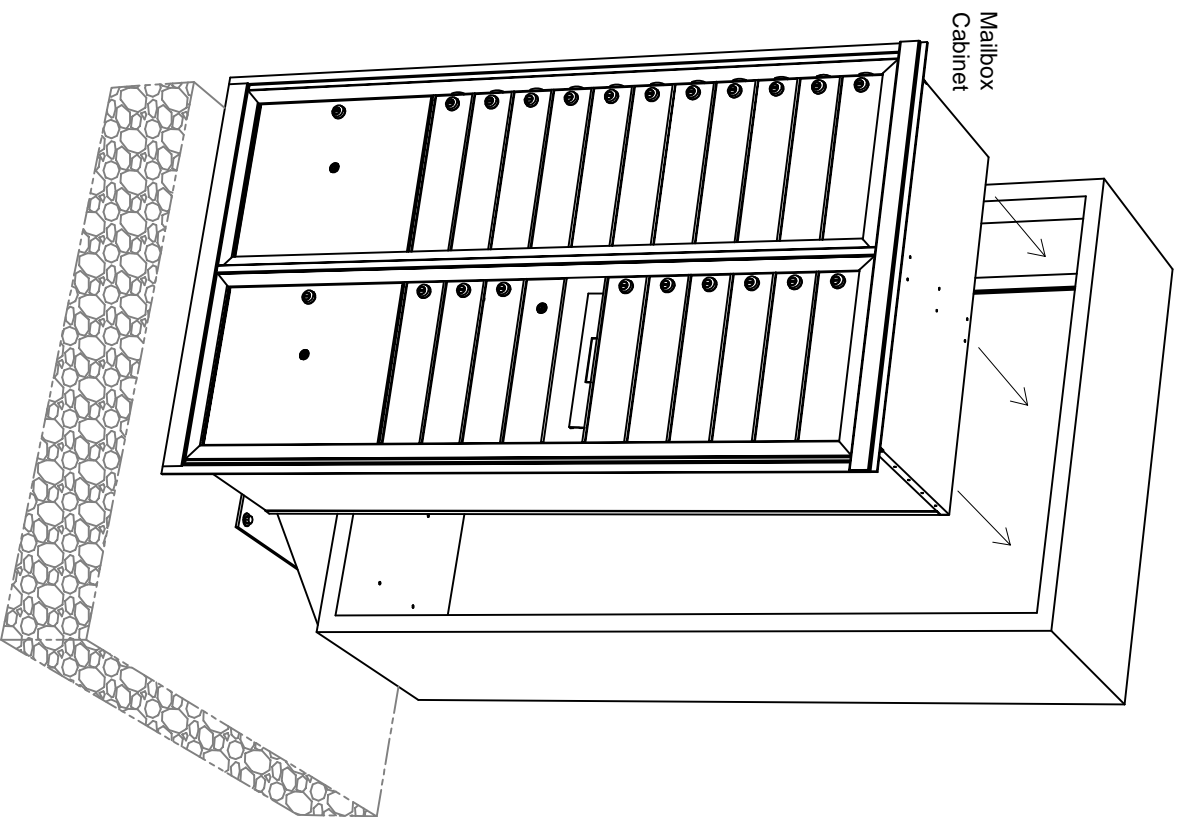
Soil Foundation: Fasten base frame into soil with four 2" hook x 10" length L-Hook anchor bolts (not provided)

Use a digger to dig four 6" Dia x 24" deep holes. Pour concrete into the holes and insert one L-Hook (not provided) into each concrete hole. Expose 2" of the L-Hooks above the concrete for fastening. Using the base frame as a template, adjust the L-Hooks so that they fit through the base plate of the base frame

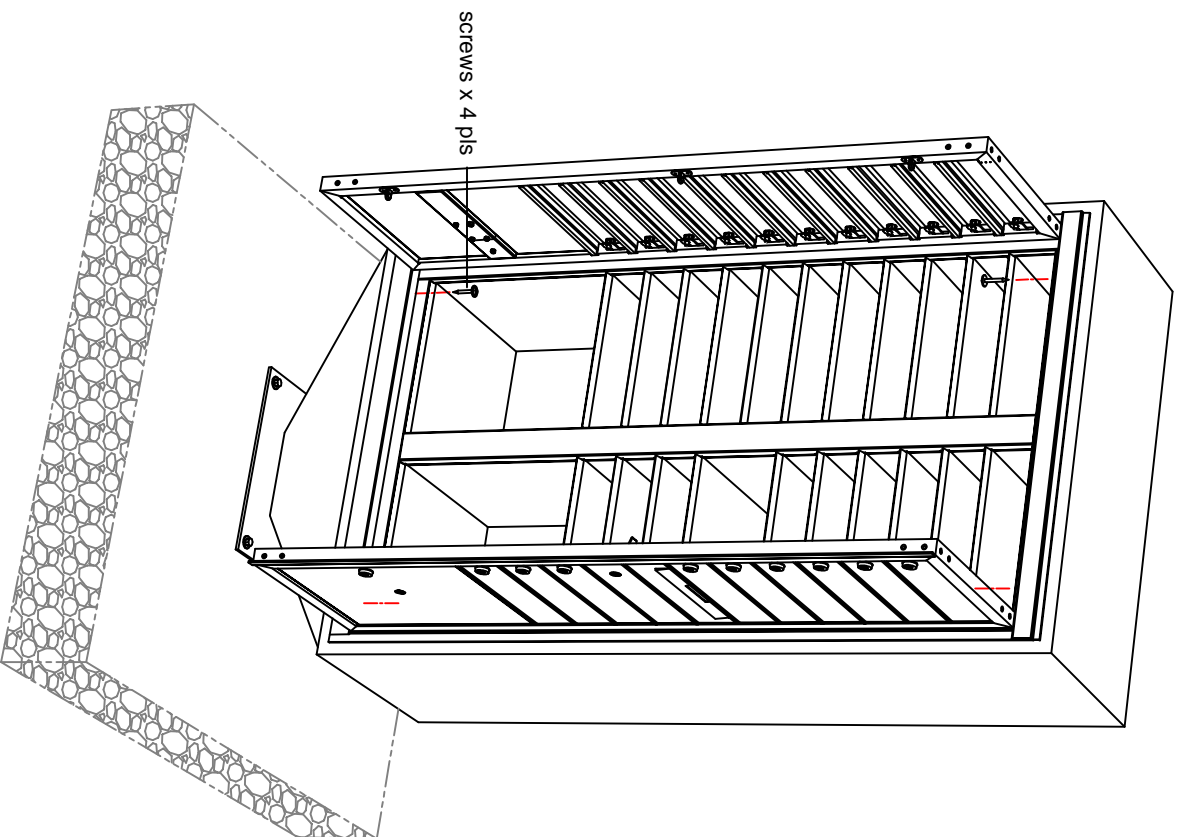
2B GLOBAL, INC.

DRAWING NO.	2BKIOSKINST-01	DRAWING TITLE	MAILBOX KIOSK INSTALLATION (KIOSK SERIES)
DATE	MAY 18 2008	SCALE	L
REVISION NO.	0	SHEET	1 OF 1

Installation Guides - Step 2 (Final - Securing Mailbox Cabinet to the Kiosk)



STEP 2a: Insert the mailbox cabinet into the kiosk through the front opening



STEP 2b: Open the master loading door, and fasten four screws (two through the top frame and two through the bottom frame) to secure mailbox cabinet to the kiosk